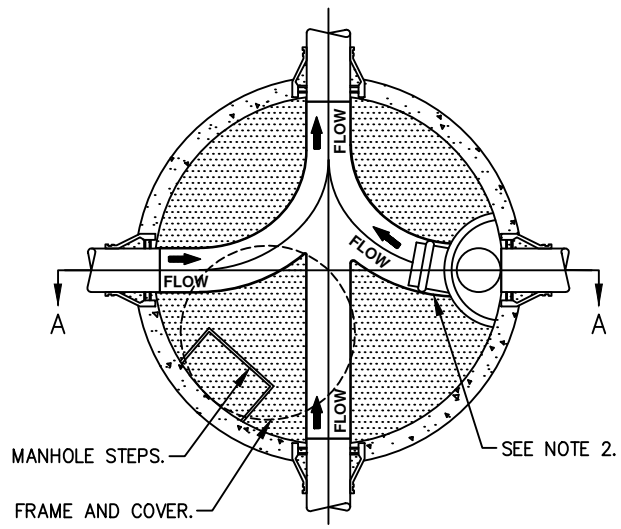


SECTION A-A



PLAN

NOTES:

1. DROP MANHOLES ARE ONLY ALLOWED WITH DISTRICT APPROVAL.
2. THE MANHOLE BASE SHALL BE CONCRETE CHanneLED PER THE ENGINEERING SPECIFICATIONS. SLOPE SHALL BE A MINIMUM OF 0.1' ACROSS THE INVERT CHANNEL.
3. CHANNEL RECEIVING THE INSIDE DROP FLOW SHALL BE SIZED ONE PIPE SIZE LARGER THAN THE INCOMING PIPE TO ACCOMMODATE THE 90° BEND. BEND TO REST FLUSH IN THE CHANNEL.
4. EXISTING MANHOLES SHALL HAVE THE BEND SET ON TOP OF THE EXISTING BENCH, ORIENTED TOWARDS THE DOWNSTREAM OUTLET, AND GROUTED IN-PLACE. ADDITIONAL PVC PIPE MAY BE REQUIRED TO DIRECT FLOW TO THE DOWNSTREAM OUTLET.
5. MARKER POSTS MAY BE REQUIRED IN EASEMENTS.
6. ALL PICK HOLES SHALL BE GROUTED ON THE INSIDE AND OUTSIDE OF MANHOLE.
7. MANHOLE LID SHALL BE ORIENTED PER THE DISTRICT'S DIRECTION.

INSIDE DROP MANHOLE

NOT TO SCALE

DETAIL APPROVALS	
EDITOR	TMC
MANAGER	EM

NORTHSHORE UTILITY DISTRICT
2024 STANDARD SEWER DETAILS