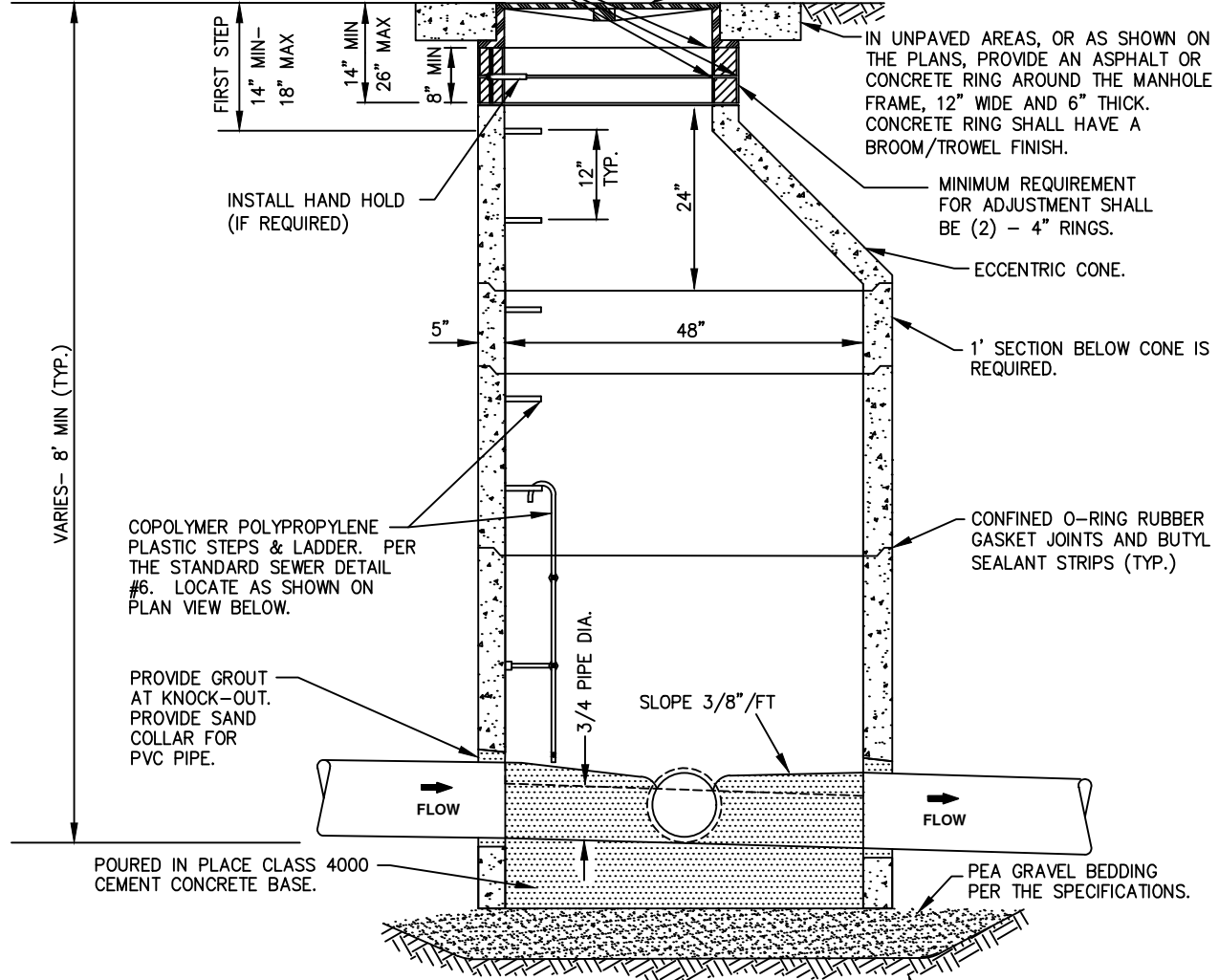


GRout ADJUSTING RINGS INSIDE, OUTSIDE AND BETWEEN. GRout UNDER CASTING. INSIDE GRout SHALL HAVE A SMOOTH BRoom FINISH.

MANHOLE FRAME AND COVER PER THE STANDARD SEWER DETAIL #5. LOCATE AS SHOWN ON PLAN.



VARIES - 8' MIN (TYP.)

FIRST STEP
14" MIN - 18" MAX
14" MIN - 26" MAX
8" MIN

INSTALL HAND HOLD (IF REQUIRED)

IN UNPAVED AREAS, OR AS SHOWN ON THE PLANS, PROVIDE AN ASPHALT OR CONCRETE RING AROUND THE MANHOLE FRAME, 12" WIDE AND 6" THICK. CONCRETE RING SHALL HAVE A BRoom/TROWEL FINISH.

MINIMUM REQUIREMENT FOR ADJUSTMENT SHALL BE (2) - 4" RINGS.

ECCENTRIC CONE.

1' SECTION BELOW CONE IS REQUIRED.

COPOLYMER POLYPROPYLENE PLASTIC STEPS & LADDER. PER THE STANDARD SEWER DETAIL #6. LOCATE AS SHOWN ON PLAN VIEW BELOW.

CONFINED O-RING RUBBER GASKET JOINTS AND BUTYL SEALANT STRIPS (TYP.)

PROVIDE GRout AT KNOCK-OUT. PROVIDE SAND COLLAR FOR PVC PIPE.

SLOPE 3/8" / FT

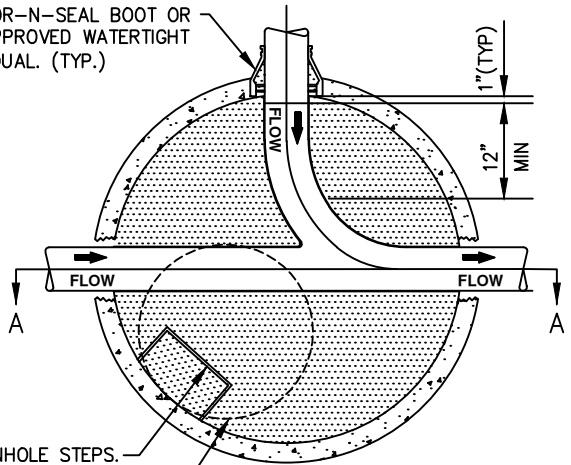
POURED IN PLACE CLASS 4000 CEMENT CONCRETE BASE.

PEA GRAVEL BEDDING PER THE SPECIFICATIONS.

SECTION A-A

FOUNDATION GRAVEL PER THE SPECIFICATIONS, IF REQUIRED.

KOR-N-SEAL BOOT OR APPROVED WATERTIGHT EQUAL. (TYP.)



MANHOLE STEPS.
FRAME AND COVER.

PLAN

NOTES:

- 1. MARKER POSTS MAY BE REQUIRED IN EASEMENTS.
- 2. ALL PICK HOLES SHALL BE GRouted ON THE INSIDE AND OUTSIDE OF MANHOLE.
- 3. MANHOLE LID SHALL BE ORIENTED PER THE DISTRICT'S DIRECTION.

SADDLE MANHOLE

NOT TO SCALE

DETAIL APPROVALS	
EDITOR	TMC
MANAGER	SJD

NORTHSHORE UTILITY DISTRICT
2024 STANDARD SEWER DETAILS

2

LAST UPDATED
FEBRUARY 2020