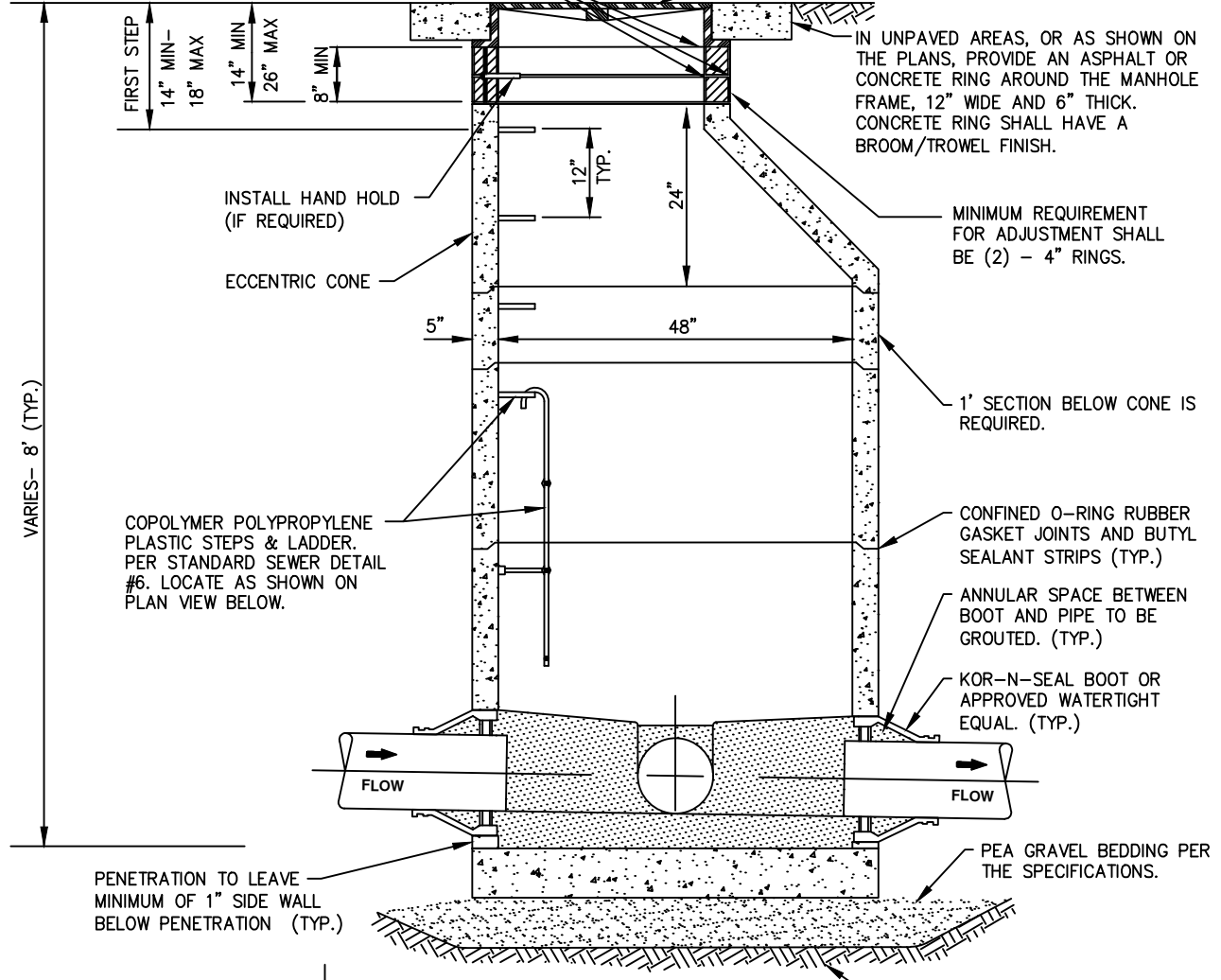


GROUT ADJUSTING RINGS INSIDE, OUTSIDE AND BETWEEN. GROUT UNDER CASTING. INSIDE GROUT SHALL HAVE A SMOOTH BROOM FINISH.

MANHOLE FRAME AND COVER PER THE STANDARD SEWER DETAIL #5. LOCATE AS SHOWN ON PLAN.



VARIES - 8' (TYP.)

FIRST STEP
14" MIN - 18" MAX
14" MIN - 26" MAX
8" MIN

IN UNPAVED AREAS, OR AS SHOWN ON THE PLANS, PROVIDE AN ASPHALT OR CONCRETE RING AROUND THE MANHOLE FRAME, 12" WIDE AND 6" THICK. CONCRETE RING SHALL HAVE A BROOM/TROWEL FINISH.

INSTALL HAND HOLD (IF REQUIRED)

ECCENTRIC CONE

MINIMUM REQUIREMENT FOR ADJUSTMENT SHALL BE (2) - 4" RINGS.

1' SECTION BELOW CONE IS REQUIRED.

COPOLYMER POLYPROPYLENE PLASTIC STEPS & LADDER. PER STANDARD SEWER DETAIL #6. LOCATE AS SHOWN ON PLAN VIEW BELOW.

CONFINED O-RING RUBBER GASKET JOINTS AND BUTYL SEALANT STRIPS (TYP.)

ANNULAR SPACE BETWEEN BOOT AND PIPE TO BE GROUTED. (TYP.)

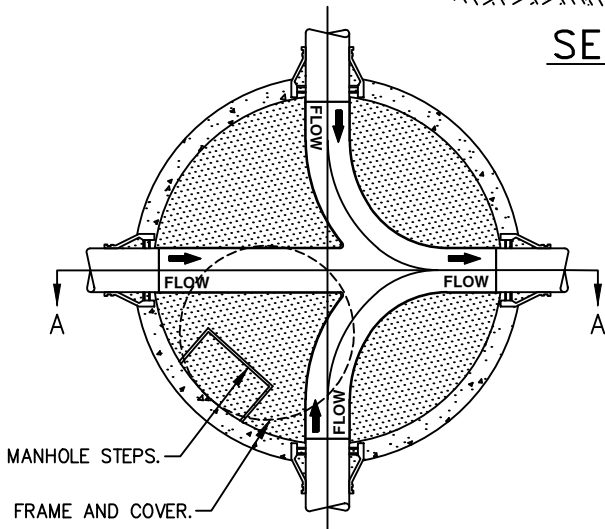
KOR-N-SEAL BOOT OR APPROVED WATERTIGHT EQUAL. (TYP.)

PENETRATION TO LEAVE MINIMUM OF 1" SIDE WALL BELOW PENETRATION (TYP.)

PEA GRAVEL BEDDING PER THE SPECIFICATIONS.

FOUNDATION GRAVEL PER THE SPECIFICATIONS, IF REQUIRED.

SECTION A-A



MANHOLE STEPS.
FRAME AND COVER.

PLAN

NOTES:

1. MANHOLE BASE SHALL BE CONCRETE CHanneled PER THE ENGINEERING SPECIFICATIONS. SLOPE SHALL BE A MINIMUM OF 0.1' ACROSS THE INVERT CHANNEL.
2. MARKER POSTS MAY BE REQUIRED IN EASEMENTS.
3. FOR MANHOLES LESS THAN 5' IN DEPTH, SEE SEWER STANDARD DETAIL #3, SHALLOW MANHOLE AND SEWER STANDARD DETAIL #16, EXTRA SHALLOW MANHOLE.
4. ALL PICK HOLES SHALL BE GROUTED ON THE INSIDE AND OUTSIDE OF MANHOLE.
5. MANHOLE LID SHALL BE ORIENTED PER THE DISTRICT'S DIRECTION.

PRECAST MANHOLE

NOT TO SCALE

DETAIL APPROVALS	
EDITOR	TMC
MANAGER	EM

NORTHSHORE UTILITY DISTRICT
2024 STANDARD SEWER DETAILS

1

LAST UPDATED
MARCH 2024