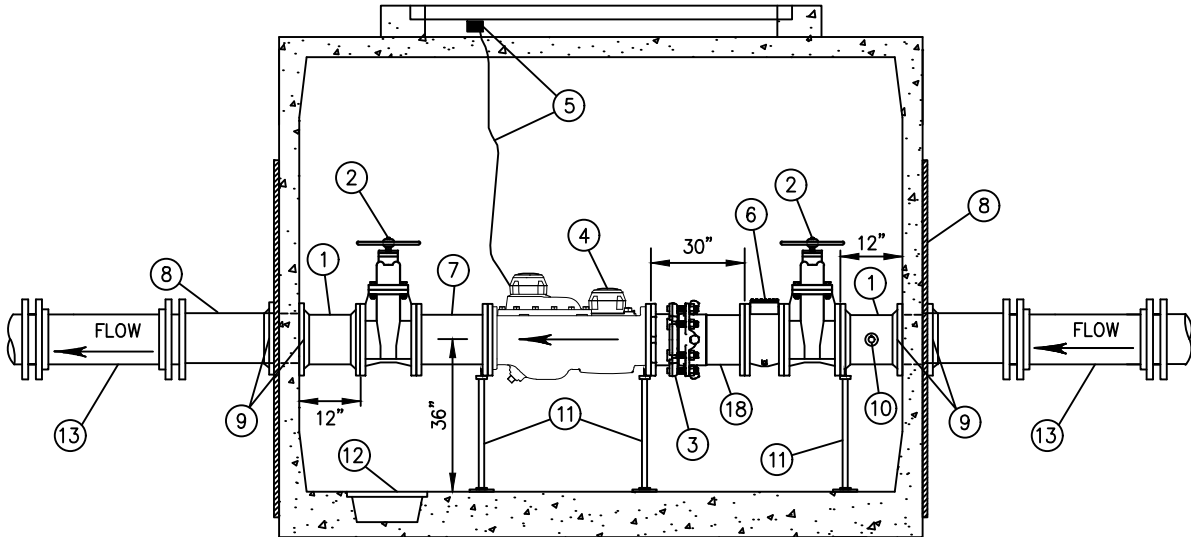


PLAN VIEW
NOT TO SCALE



SECTION A-A
NOT TO SCALE

NOTES:

1. SEE NUD STANDARD WATER DETAIL #7A FOR MATERIALS LIST AND ADDITIONAL NOTES.
2. SEE NUD STANDARD WATER DETAIL #16 AND #16A FOR VAULT DETAILS.

6" WATER SERVICE

NOT TO SCALE

DETAIL APPROVALS	
EDITOR	TMC
MANAGER	SJD

NORTHSHORE UTILITY DISTRICT
2023 STANDARD WATER DETAILS

MATERIALS LIST: ALL PIPING & APPURTENANCES TO MATCH METER SIZE

ITEM QTY. DESCRIPTION

- ① 2 D.I. ADAPTER, FLxPE, 5'± LONG.
- ② 2 RESILIENT SEAT GATE VALVE, NRS, FL, O-RING PACKING WITH HANDWHEEL. VALVE TO BE AMERICAN, MUELLER OR CLOW MEETING AWWA C515.
- ③ 1 FLANGED COUPLING ADAPTER TO BE ROMAC FLANGED COUPLING ADAPTER, STYLE RFCA.
- ④ 1 FLANGED SINGLE REGISTER HIGH PERFORMANCE COMPOUND METER, TO BE PROVIDED BY DISTRICT AND INSTALLED BY CONTRACTOR.
- ⑤ 1 METER ENDPOINT AND MOUNTING BRACKET, TO BE PROVIDED AND INSTALLED BY DISTRICT ON HATCH RISER.
- ⑥ 1 FLANGED STRAINER, TO BE PROVIDED BY DISTRICT AND INSTALLED BY CONTRACTOR.
- ⑦ 1 12" D.I. SPOOL, FLxFL
- ⑧ 4 2"x2"x1/4" MIN. WALL THICKNESS SQUARE STEEL TUBING, 6' MIN. LENGTH. BOLT TO VAULT WALL IN FOUR PLACES WITH STAINLESS STEEL ANCHOR BOLTS.
- ⑨ 4 UNI-FLANGE ADAPTER.
- ⑩ 1 SADDLE WITH STAINLESS STEEL STRAP, ROMAC 202NS, FORD FCD202, OR MUELLER DR2S; WITH 1" IP TAP AND 3/4" HOSE BIB.
- ⑪ 3 ADJUSTABLE PIPING SUPPORT, STANDON MODEL #S89, OR EQUAL, SET ON CONCRETE.
- ⑫ 1 SUMP PUMP OR GRAVITY DRAIN AS REQUIRED BY SITE CONDITIONS, TO BE DETERMINED BY THE DEVELOPER AND CONTRACTOR AND REVIEWED AND APPROVED BY THE DISTRICT.

FOR GRAVITY: SUMP DRAIN, ZURN Z-551, THREADED, WITH ZURN Z-1099 BACKWATER VALVE, THREADED x NO-HUB, WITH 4" D.I. PIPE TO 12" MIN. BEYOND VAULT WALL AND 4" D.I., MIN. 1% SLOPE TO DAYLIGHT OR C.B.

FOR SUMP PUMP: 16" DIAM. x 8" DEEP SUMP WITH ZOELLER MODEL 57 SUMP PUMP WITH SOLID BUOYANT POLYPROPYLENE FLOAT. PROVIDE ELECTRICAL POWER WITHIN 4' MIN.-6' MAX. VERTICAL DISTANCE AND 1' MAX. HORIZONTAL DISTANCE TO SUMP PUMP PER ALL APPLICABLE CODES. CONSTRUCT 1-1/4", SCH. 80 PVC DISCHARGE PIPING, WITH LOCATE WIRE, TO NEAREST CATCH BASIN OR APPROVED LOCATION. DISCHARGE PIPING SHALL BE ATTACHED TO THE INTERIOR VAULT WALL WITH APPROVED FASTENERS AT 3' SPACING. INSTALL A QUICK DISCONNECT COUPLING, CHECK VALVE, AND ISOLATION BALL VALVE ON DISCHARGE PIPING IMMEDIATELY AFTER SUMP PUMP. SEE STANDARD WATER DETAIL #16A FOR PUMP AND PIPING DETAIL.

- ⑬ 2 D.I. TEE, FLxRJ.
- ⑭ 2 RESILIENT SEAT GATE VALVE, NRS, FLxRJ. VALVE TO BE AMERICAN, MUELLER, M&H, OR CLOW MEETING AWWA C515. VALVE BOX AND OPERATING NUT EXTENSION TO BE PER DISTRICT STANDARD WATER DETAIL #11.
- ⑮ 4 D.I. SPOOLS, LENGTH TO FIT. RJ.
- ⑯ 2 90° D.I. BENDS, RJ.
- ⑰ 1 2" BLOW-OFF ASSEMBLY, PER DISTRICT STANDARD WATER DETAIL #10.
- ⑱ 1 30" D.I. SPOOL, FLxPE.

NOTES:

1. PROVIDE SHOP DRAWINGS AND SUBMITTALS FOR ALL MATERIALS TO THE DISTRICT FOR REVIEW AND APPROVAL PRIOR TO CONSTRUCTION.
2. VAULT SHALL BE UTILITY VAULT 810-LA (10'Lx8'Wx7'D; INSIDE DIMENSION). SEE DISTRICT STANDARD WATER DETAILS #16 AND #16a FOR VAULT DETAIL.
3. ALL PIPE AND CONDUIT PENETRATIONS SHALL BE CORE-DRILLED ON-SITE AND SHALL BE SEALED WATERTIGHT. PROVIDE "LINK-SEAL" FITTINGS AT ALL PENETRATIONS.
4. ALL PIPING AND APPURTENANCES OUTSIDE THE VAULT SHALL BE RESTRAINED JOINT. IN ADDITION TO THE RESTRAINED JOINTS, THRUST BLOCKING AT ALL TEES AND BENDS PER DISTRICT STANDARD WATER DETAILS #1 AND #2 SHALL BE REQUIRED.
5. THE CONTRACTOR IS RESPONSIBLE FOR ELECTRICAL PERMITS AND APPROVALS FOR SUMP PUMP INSTALLATIONS.
6. FOR PREMISE ISOLATION, AN APPROVED BACKFLOW ASSEMBLY SHALL BE INSTALLED IMMEDIATELY BEHIND THE WATER METER PER DISTRICT STANDARD WATER DETAIL #14a OR #14b.
7. NUD'S OWNERSHIP WILL BE TO THE DOWNSTREAM EDGE OF THE DOWNSTREAM TEE.

6" WATER SERVICE

NOT TO SCALE

DETAIL APPROVALS
EDITOR TMC
MANAGER SJD

NORTHSHORE UTILITY DISTRICT
 2023 STANDARD WATER DETAILS



LAST UPDATED
 FEBRUARY 2022