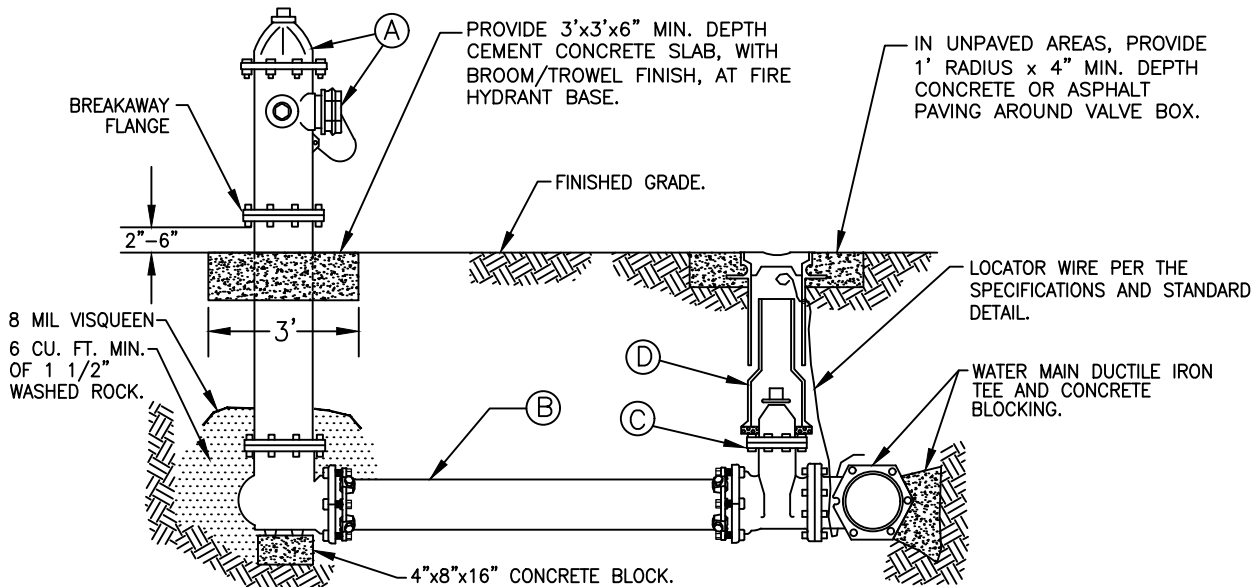


**FIRE HYDRANT LOCATION IN CUT OR FILL**



**MATERIALS LIST**

**ITEM DESCRIPTION**

- (A) HYDRANT: SHALL BE MUELLER SUPER CENTURION, AMERICAN DARLING B-62-B, CLOW MEDALLION, M&H 129 OR 129S, OR EAST JORDAN IRON WORKS WATERMASTER 5CD250 IN CONFORMANCE WITH AWWA STANDARD SPECIFICATION C-502. PROVIDE STORZ ADAPTERS (INTEGRAL OR NON-INTEGRAL) AS FOLLOWS: 4" FOR ALL LOCATIONS, EXCEPT FOR WITHIN KIRKLAND WHERE 5" IS REQUIRED. HYDRANT SHALL BE FACTORY PRIME COATED. TOP COAT SHALL BE TWO BRUSH COATS OF SHERWIN WILLIAMS WHITE INDUSTRIAL ENAMEL #B54W101.
- (B) 6" CL. 52 D.I. PIPE, 3' MIN. AND 50' MAX. WITH RESTRAINED JOINTS.
- (C) 6" R.W. GATE VALVE, F.L.xR.J.: SHALL BE PER THE SPECIFICATIONS. FOR VALVE OPERATING NUT DEPTHS, SEE STANDARD WATER DETAIL #11
- (D) TWO-PIECE VALVE BOX AND ETHAFOAM RING PER THE SPECIFICATIONS AND STANDARD WATER DETAIL #11.

**NOTES:**

1. HYDRANT SHALL BE ORIENTED PER FIRE MARSHALL AND HAVE 3' MIN. CLEARANCE AROUND CENTERLINE.
2. BOLLARDS REQUIRED ONLY ON PRIVATE PROPERTY.
3. IF HYDRANT RUN IS LONGER THAN 50', PIPE SIZE WILL BE DETERMINED BY DISTRICT
4. HYDRANT EXTENSIONS ARE NOT ALLOWED.

**FIRE HYDRANT ASSEMBLY**

NOT TO SCALE

<b>DETAIL APPROVALS</b>	
<b>EDITOR</b>	TMC
<b>MANAGER</b>	SJD

**NORTHSHORE UTILITY DISTRICT**  
2023 STANDARD WATER DETAILS

**3**

LAST UPDATED  
JANUARY 2023