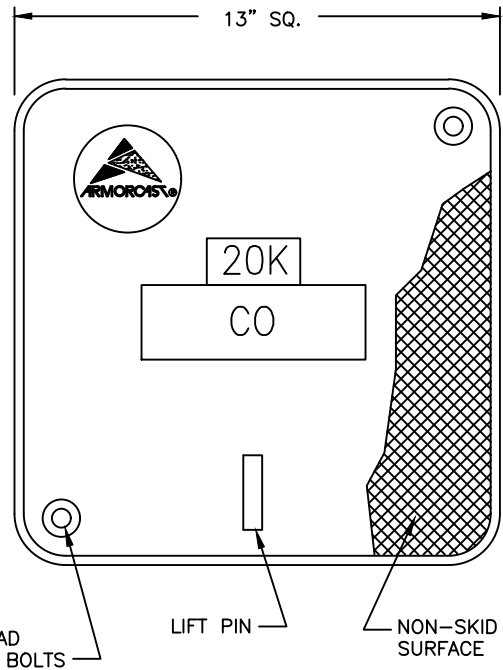
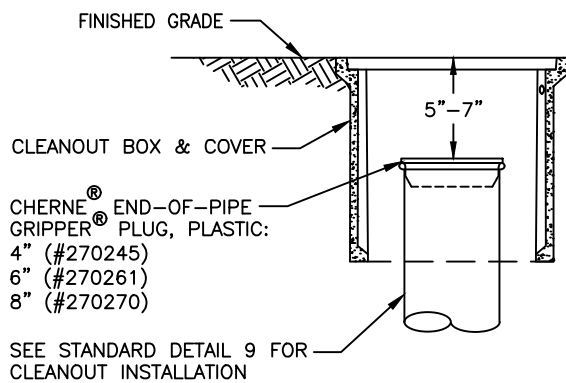


ARMORCAST CLEANOUT BOX



ARMORCAST CLEANOUT COVER



INSTALLATION PROFILE

NOTES:

1. SURFACE CLEANOUTS ARE REQUIRED AT THE R.O.W., THE BUILDING CONNECTION IN HARDSCAPE (SUCH AS SIDEWALKS, DRIVEWAYS, AND PATIOS), AND EVERY 100 FEET. THE SIDE SEWER CONNECTION AT THE MAIN LINE STUB SHALL BE A TWO-WAY CLEANOUT TEST TEE. SEE STANDARD DETAILS 7 & 8a.
2. CLEANOUT BOXES AND COVERS LOCATED AT PROPERTY LINE AND IN HARDSCAPES SHALL BE ARMORCAST POLYMER CONCRETE BOX ASSEMBLY, PART #A6001423TA, H20 RATED WITH PENTAHEAD LOCKING BOLTS AND "CO" STAMPED ON COVER.
3. CLEANOUT BOXES AND COVERS LOCATED IN LANDSCAPE AREA'S WITHIN THE PROPERTY MAY BE A MINIMUM 6" ROUND OR 6" SQUARE LANDSCAPE/IRRIGATION BOX EQUIVALENT TO A CARSON TRUSST 708, NDS 107BC, OR NDS D1000-SG.

SURFACE CLEANOUT BOX

NOT TO SCALE

DETAIL APPROVALS
EDITOR TMC
MANAGER SJD

NORTHSHORE UTILITY DISTRICT
 2023 STANDARD SEWER DETAILS

9a

LAST UPDATED
 JANUARY 2023