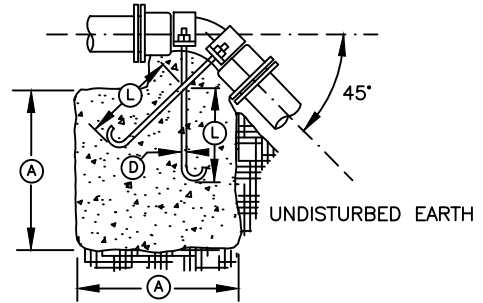


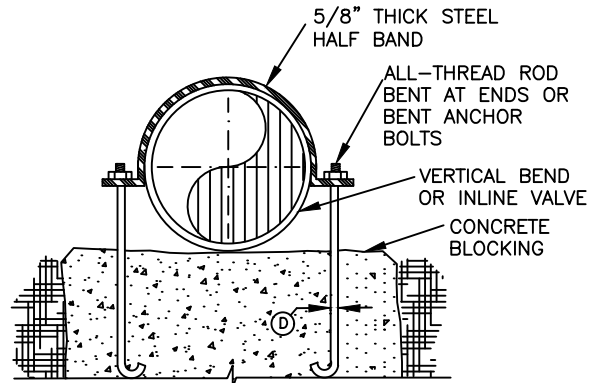
BLOCKING FOR 11-1/4°, 22-1/2° & 30° VERTICAL BENDS



BLOCKING FOR 45° VERTICAL BENDS

VERTICAL BLOCKING

PIPE SIZE	VERT. BEND	CU.FT.	(A)	(D)	(L)
4"	11-1/4°	8	2.0'	3/4"	1.5'
	22-1/2°	11	2.2'	3/4"	2.0'
	30°	17	2.6'	3/4"	2.0'
	45°	30	3.1'	3/4"	2.0'
6"	11-1/4°	11	2.2'	3/4"	2.0'
	22-1/2°	25	2.9'	3/4"	2.0'
	30°	41	3.5'	3/4"	2.0'
	45°	68	4.1'	3/4"	2.0'
8"	11-1/4°	16	2.5'	3/4"	2.0'
	22-1/2°	47	3.6'	3/4"	2.5'
	30°	70	4.1'	3/4"	2.5'
	45°	123	5.0'	3/4"	2.0'
12"	11-1/4°	32	3.2'	3/4"	2.0'
	22-1/2°	88	4.5'	7/8"	3.0'
	30°	132	5.1'	7/8"	2.5'
	45°	232	6.1'	3/4"	2.5'
16"	11-1/4°	70	4.1'	7/8"	3.0'
	22-1/2°	184	5.7'	1-1/8"	4.0'
	30°	275	6.5'	1-1/4"	4.0'
	45°	478	7.8'	1-1/8"	4.0'
20"	11-1/4°	91	4.5'	7/8"	3.0'
	22-1/2°	225	6.1'	1-1/4"	4.0'
	30°	330	6.9'	1-3/8"	4.5'
	45°	560	8.2'	1-1/4"	4.0'
24"	11-1/4°	128	5.0'	1"	3.5'
	22-1/2°	320	6.8'	1-3/8"	4.5'
	30°	480	7.9'	1-5/8"	5.5'
	45°	820	9.4'	1-3/8"	4.5'



TYPICAL CROSS-SECTION

NOTES:

1. CONCRETE BLOCKING AREA IS BASED ON 250 PSI WATER PRESSURE AND 2,500 PSI CONCRETE STRENGTH.
2. BOLTS AND NUTS NOT EMBEDDED IN CONCRETE SHALL BE CLEANED AND COATED WITH COAL TAR EPOXY.
3. POLYETHYLENE WRAP NOT SHOWN FOR CLARITY.
4. HARDWARE SHALL BE TWO CARBON STEEL HALF BANDS (5/8" THICK) EQUAL TO 595 SOCKET CLAMP FROM ANVIL INTERNATIONAL. RODS SHALL BE ALL-THREAD, BENT AT THE ENDS OR BENT ANCHOR BOLTS, WITH 12" MIN. EMBEDMENT FOR INLINE VALVES, OR AS SHOWN ON VERTICAL BLOCKING TABLE.

CONCRETE BLOCKING - VERTICAL

NOT TO SCALE

DETAIL APPROVALS
EDITOR TMC
MANAGER SJD

NORTHSHORE UTILITY DISTRICT
 2021 STANDARD WATER DETAILS