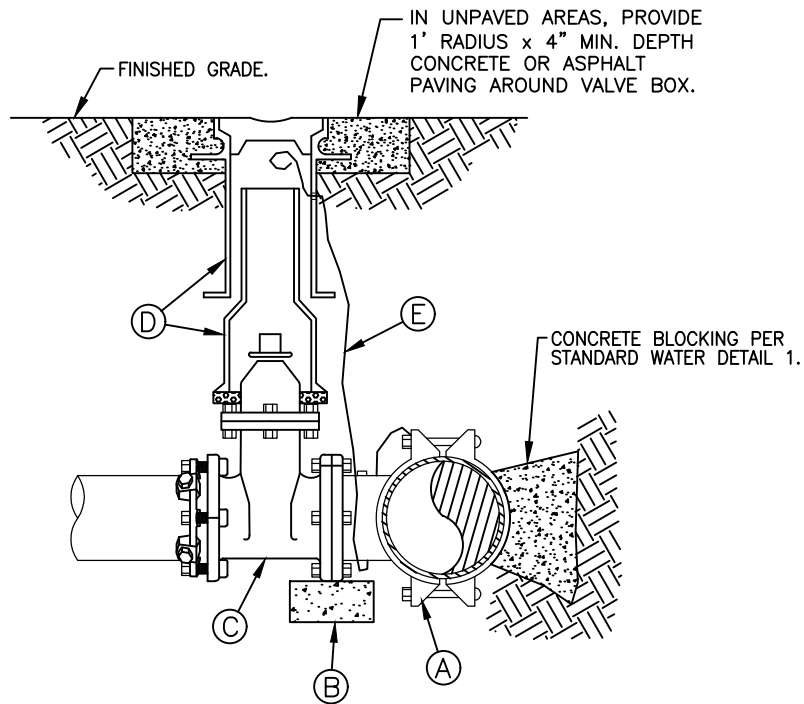


PLAN



PROFILE

MATERIALS LIST

ITEM DESCRIPTION

- (A) STAINLESS STEEL TAPPING TEE; ROMAC STS 420, JCM 432, OR FORD FTSS.
- (B) PRECAST 4"x8"x16" CONCRETE BLOCK.
- (C) 6" R.W. GATE VALVE, F.L.xR.J.: SHALL BE PER THE SPECIFICATIONS. FOR VALVE OPERATING NUT DEPTHS, SEE STANDARD WATER DETAIL #11
- (D) TWO-PIECE VALVE BOX AND ETHAFOAM RING PER THE SPECIFICATIONS AND STANDARD WATER DETAIL #11.
- (E) TRACER WIRE: BLUE 14 GAUGE COPPER, CONTINUOUS, SOLID CORE, POLYETHYLENE INSULATED PER THE SPECIFICATIONS. CONTINUOUS FROM MAINLINE.

TAPPING TEE AND GATE VALVE

NOT TO SCALE

DETAIL APPROVALS
EDITOR TMC
MANAGER SJD

NORTHSHORE UTILITY DISTRICT
 2021 STANDARD WATER DETAILS

20

LAST UPDATED
 APRIL 2021