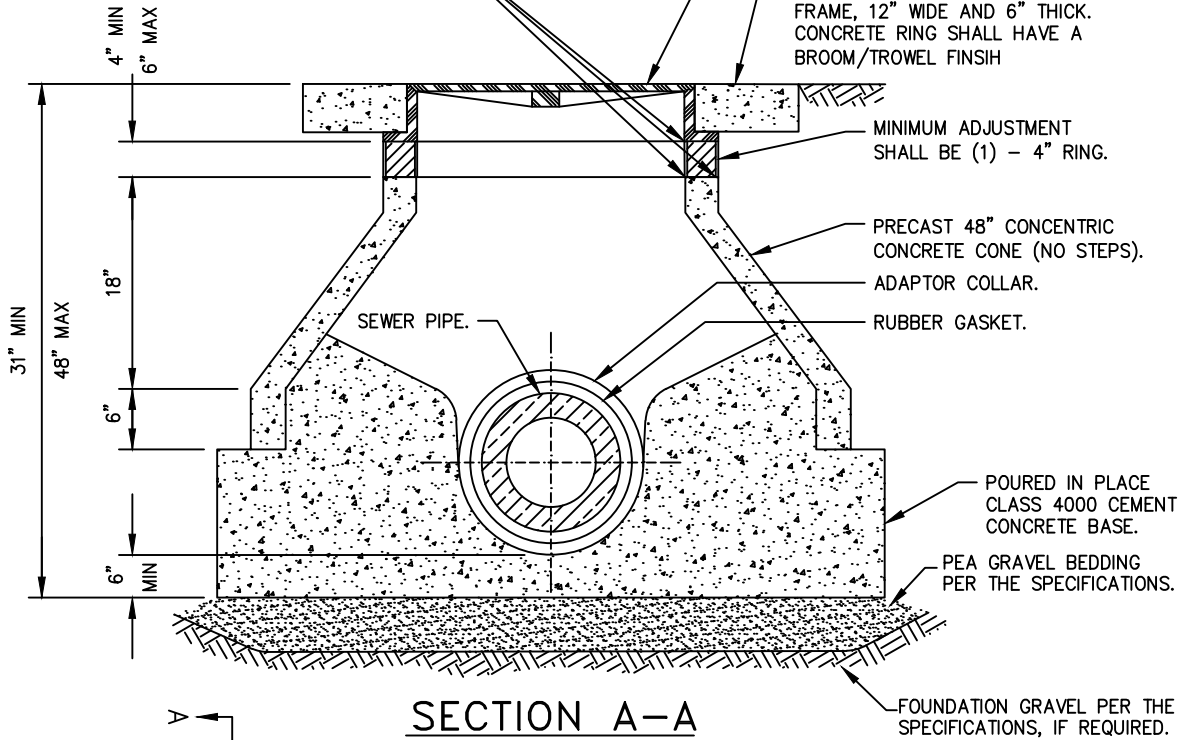


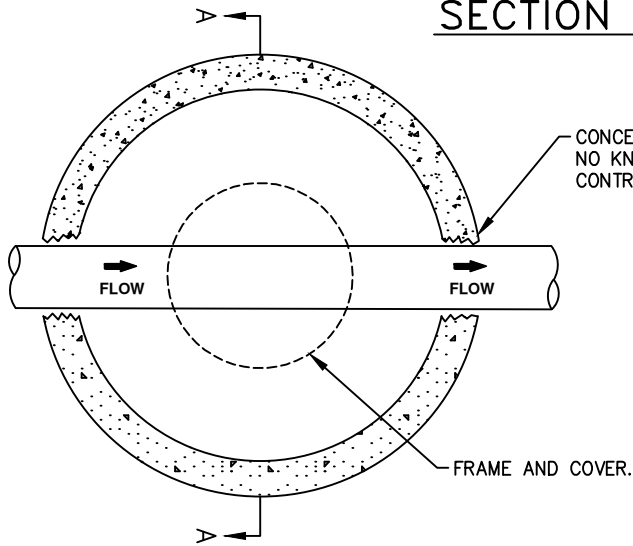
GROUT ADJUSTING RINGS INSIDE, OUTSIDE AND BETWEEN. GROUT UNDER CASTING. INSIDE GROUT SHALL HAVE A SMOOTH BROOM FINISH.

MANHOLE FRAME AND COVER PER THE STANDARD SEWER DETAIL #5. LOCATE AS SHOWN ON PLAN.

IN UNPAVED AREAS, OR AS SHOWN ON THE PLANS, PROVIDE AN ASPHALT OR CONCRETE RING AROUND THE MANHOLE FRAME, 12" WIDE AND 6" THICK. CONCRETE RING SHALL HAVE A BROOM/TROWEL FINISH



**SECTION A-A**



**PLAN**

**NOTES:**

1. APPLY RAVEN 405 EPOXY COATING, PER MANUFACTURER'S RECOMMENDATION, TO CHANNEL, SHELF, AND CONE SECTION. ENSURE INSIDE OF MANHOLE IS CLEAN AND DRY PRIOR TO COATING.
2. MARKER POSTS MAY BE REQUIRED IN EASEMENTS.
3. ALL PICK HOLES SHALL BE GROUTED ON THE INSIDE AND OUTSIDE OF MANHOLE.
4. MANHOLE LID SHALL BE ORIENTED PER THE DISTRICT'S DIRECTION.

**EXTRA SHALLOW SADDLE MANHOLE**

NOT TO SCALE

**DETAIL APPROVALS**  
**EDITOR** TMC  
**MANAGER** SJD

**NORTHSHORE UTILITY DISTRICT**  
**2021 STANDARD SEWER DETAILS**

**16**

LAST UPDATED  
 FEBRUARY 2020