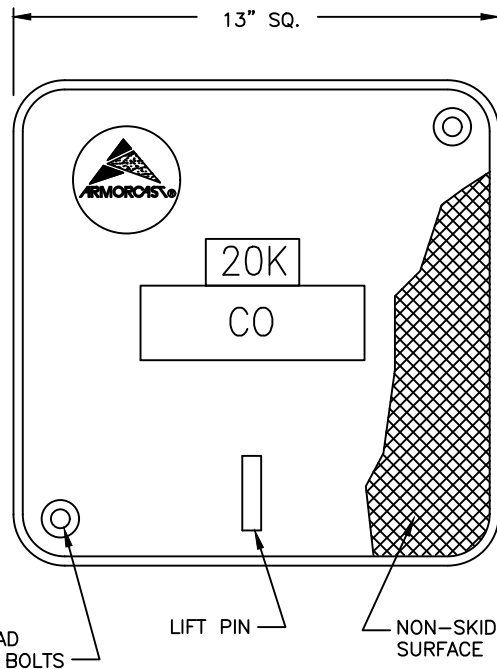
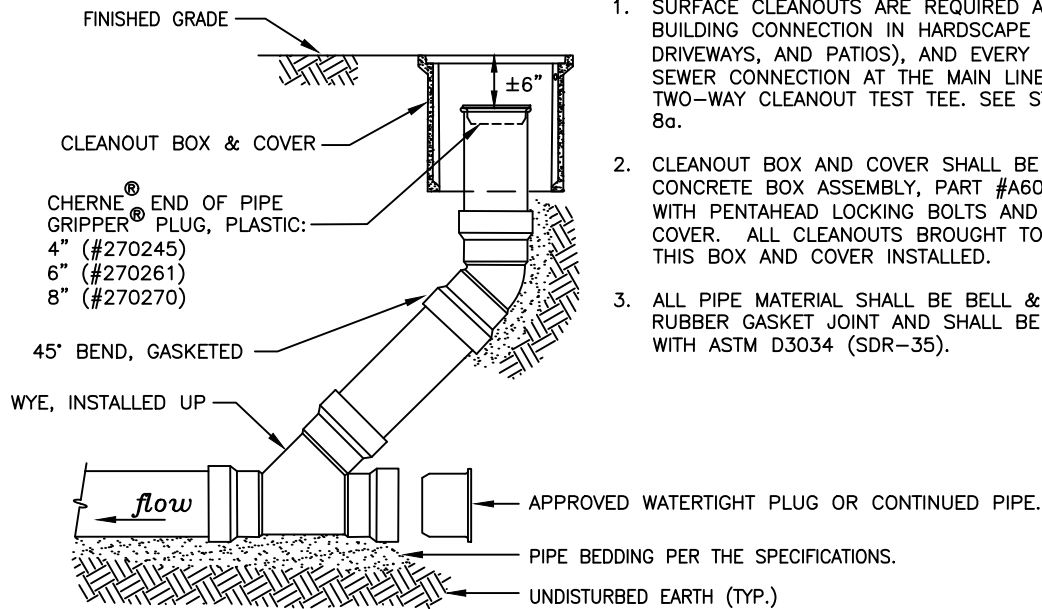


CLEANOUT BOX



CLEANOUT COVER



PROFILE

NOTES:

1. SURFACE CLEANOUTS ARE REQUIRED AT THE R.O.W., THE BUILDING CONNECTION IN HARDSCAPE (SUCH AS SIDEWALKS, DRIVEWAYS, AND PATIOS), AND EVERY 100 FEET. THE SIDE SEWER CONNECTION AT THE MAIN LINE STUB SHALL BE A TWO-WAY CLEANOUT TEST TEE. SEE STANDARD DETAILS 7 & 8a.
2. CLEANOUT BOX AND COVER SHALL BE ARMORCAST POLYMER CONCRETE BOX ASSEMBLY, PART #A6001423TA, H20 RATED WITH PENTAHEAD LOCKING BOLTS AND "CO" STAMPED ON COVER. ALL CLEANOUTS BROUGHT TO GRADE SHALL HAVE THIS BOX AND COVER INSTALLED.
3. ALL PIPE MATERIAL SHALL BE BELL & SPIGOT TYPE WITH RUBBER GASKET JOINT AND SHALL BE IN CONFORMANCE WITH ASTM D3034 (SDR-35).

SIDE SEWER SURFACE CLEANOUT

NOT TO SCALE

DETAIL APPROVALS
EDITOR TMC
MANAGER SJD

NORTHSHORE UTILITY DISTRICT
 2021 STANDARD SEWER DETAILS

9

LAST UPDATED
 APRIL 2021