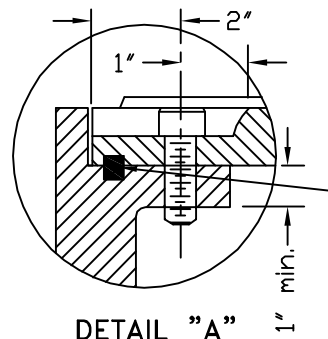


Drill and tap: $\frac{5}{8}$ "-11 NC at 120° (typ. 3 places).
Provide $\frac{5}{8}$ "-11 NC x $1\frac{1}{4}$ " socket head screws.

PLAN

SECTION A-A

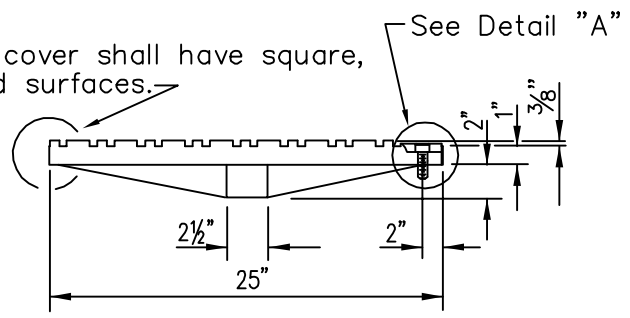
LOCKING FRAME



Neoprene recessed gasket for water tight applications.

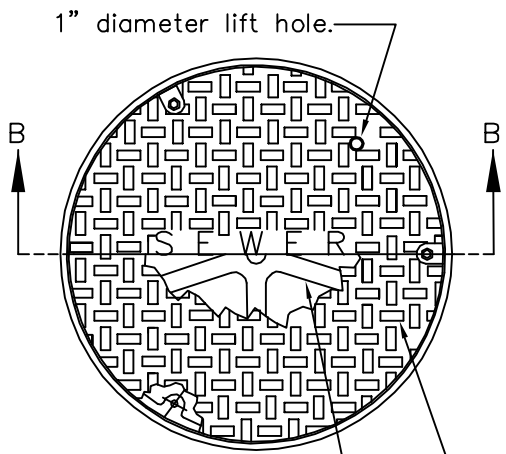
DETAIL "A"

(for locking and/or watertight applications)



Manhole cover shall have square, machined surfaces.

SECTION B-B



1" ribs, 5 pls., equal spaced.
Nonskid pattern to be cast integral on top of cover.

COVER

Notes:

1. Frames shall be locking type, Olympic Foundry Part Number MH30AD/T or East Jordan Iron Works Part Number 370512.
2. Covers shall be locking type, Olympic Foundry part number MH30AD/T or East Jordan Iron Works part number 370523.
3. Water tight covers, where required, shall be Olympic Foundry part number MH30AW/T or East Jordan Iron Works part number 370586.
4. Holes for locking cover shall be in alignment and interchangeable.
5. Allowable tolerance between cover & frame is $\frac{1}{8}$ " maximum.
6. Cover shall have the word "Sewer" cast with 3" high letters and raised $\frac{3}{8}$ ".

MANHOLE LOCKING FRAME AND COVER

NOT TO SCALE

Detail Approvals
 Engineer GSM
 Manager DPK

**NORTHSHORE UTILITY DISTRICT
 STANDARD SEWER DETAILS**