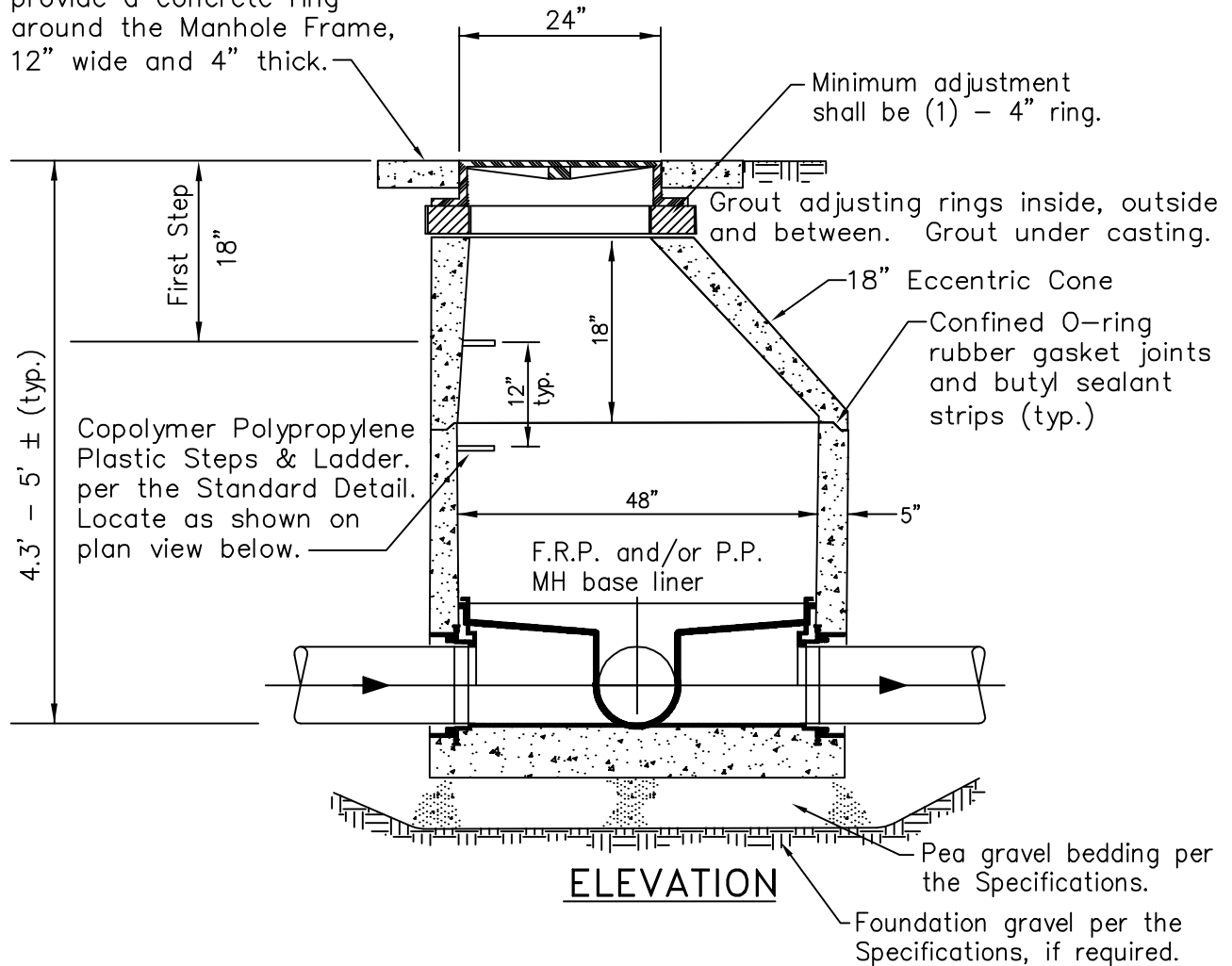
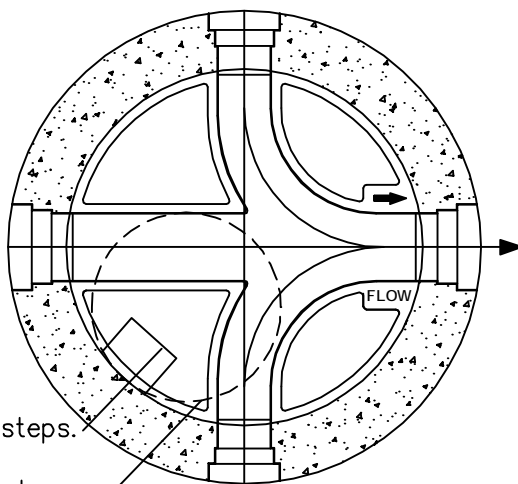


In unpaved areas, or as shown on the plans, provide a concrete ring around the Manhole Frame, 12" wide and 4" thick.



ELEVATION



PLAN

Notes:

1. Use 18" eccentric cone and 2' base for shallow manhole application.
2. Minimum drop in the invert elevation through the manhole shall be 0.06'.
3. Marker posts may be required in easements.
4. The manhole baseliner shall be a Fiberglass Reinforced Plastic (F.R.P.) and/or Polypropylene (P.P.) Baseliner System per the Engineering Specifications.

PRECAST SHALLOW MANHOLE W/ BASE LINER

NOT TO SCALE

Detail Approvals
 Engineer GSM
 Manager DPK

**NORTHSHORE UTILITY DISTRICT
 STANDARD SEWER DETAILS**

3